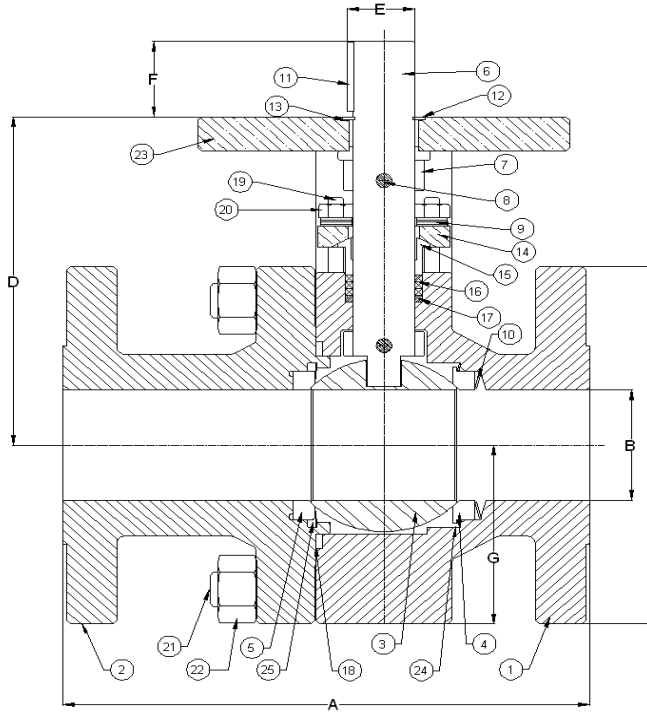


REMINGTON VALVE, LLC.

ENGINEERING DIMENSIONS .5 THRU 2.5 RFFE

PARTS LIST

| Item | Description |
|------|---------------------|
| 1 | Body |
| 2 | End Connection |
| 3 | Ball |
| 4 | Seat /Push Ring |
| 5 | Seat - Downstream |
| 6 | Stem |
| 7 | Collar |
| 8 | Pin |
| 9 | Belleville Spring |
| 10 | Load Spring |
| 11 | Stem Key |
| 12 | Retainer Ring |
| 13 | Washer |
| 14 | Gland Flange |
| 15 | Packing Follower |
| 16 | Packing |
| 17 | Anti Extrusion Ring |
| 18 | Gasket |
| 19 | Stud |
| 20 | Nut |
| 21 | Stud |
| 22 | Nut |
| 23 | Mounting Bracket |
| 24 | Solids Excluder |
| 25 | Locking Ring |



ANSI 150

| NOMINAL SIZE | A | B | C | D | E | F | G | CV |
|--------------|------|------|------|-----|------|-----|------|-----|
| 0.50 | 4.25 | 0.50 | 3.50 | 4.2 | 0.56 | 1 | 1.88 | 24 |
| 0.75 | 4.62 | 0.75 | 3.88 | 4.8 | 0.56 | 1 | 2.09 | 52 |
| 1.00 | 5.00 | 1.12 | 4.25 | 5.1 | 0.75 | 1.3 | 2.44 | 143 |
| 1.50 | 6.50 | 1.50 | 5.00 | 5.6 | 0.87 | 1.6 | 2.75 | 265 |
| 2.00 | 7.00 | 2.00 | 6.00 | 5.8 | 0.75 | 1.3 | 3 | 545 |
| 2.50 | 7.50 | 2.50 | 7.00 | 6.1 | 1.19 | 1.7 | 3.5 | 945 |

ANSI 600

| NOMINAL SIZE | A | B | C | D | E | F | G | CV |
|--------------|-------|------|------|-----|------|-----|------|-----|
| 0.50 | 6.50 | 0.50 | 3.75 | 4.4 | 0.56 | 1 | 1.88 | 20 |
| 0.75 | 7.50 | 0.75 | 4.63 | 4.9 | 0.56 | 1 | 2.09 | 42 |
| 1.00 | 8.50 | 1.12 | 4.88 | 5.1 | 0.75 | 1.3 | 2.44 | 109 |
| 1.50 | 9.50 | 1.50 | 6.12 | 5.9 | 0.87 | 1.6 | 2.75 | 222 |
| 2.00 | 11.50 | 2.00 | 6.50 | 5.9 | 1.06 | 1.7 | 3.25 | 425 |
| 2.50 | 13.00 | 2.50 | 7.50 | 6.2 | 1.06 | 1.9 | 3.75 | 715 |

ANSI 300

| NOMINAL SIZE | A | B | C | D | E | F | G | CV |
|--------------|------|------|------|-----|------|-----|------|-----|
| 0.50 | 5.50 | 0.50 | 3.75 | 4.3 | 0.56 | 1 | 1.88 | 22 |
| 0.75 | 6.00 | 0.75 | 4.63 | 4.8 | 0.56 | 1 | 2.09 | 48 |
| 1.00 | 6.50 | 1.12 | 4.88 | 5.1 | 0.75 | 1.3 | 2.44 | 125 |
| 1.50 | 7.50 | 1.50 | 6.12 | 5.9 | 0.87 | 1.6 | 2.75 | 250 |
| 2.00 | 8.50 | 2.00 | 6.50 | 5.9 | 1.06 | 1.7 | 3.25 | 490 |
| 2.50 | 9.50 | 2.50 | 7.50 | 6.1 | 1.19 | 1.7 | 3.5 | 841 |

ANSI 900/1500

| NOMINAL SIZE | A | B | C | D | E | F | G | CV |
|--------------|-------|------|------|-----|------|-----|------|-----|
| 0.50 | 8.50 | 0.50 | 4.75 | 4.8 | 0.56 | 1 | 2.25 | 18 |
| 0.75 | 9.00 | 0.75 | 5.12 | 4.9 | 0.56 | 1 | 2.25 | 35 |
| 1.00 | 10.00 | 1.12 | 5.88 | 5.6 | 0.75 | 1.3 | 2.94 | 100 |
| 1.50 | 12.00 | 1.50 | 7.00 | 7.2 | 1.06 | 1.6 | 3.5 | 195 |
| 2.00 | 14.50 | 2.00 | 8.50 | 6.8 | 1.19 | 1.7 | 3.5 | 278 |
| 2.50 | 16.50 | 2.13 | 9.63 | 6.5 | 1.5 | 1.9 | 3.75 | 419 |

ANSI 2500

| NOMINAL SIZE | A | B | C | D | E | F | G | CV |
|--------------|-------|------|-------|-----|------|-----|------|-----|
| 0.50 | 10.38 | 0.50 | 5.25 | 5.2 | 0.56 | 1 | 2.5 | 20 |
| 0.75 | 10.75 | 0.75 | 5.50 | 6.1 | 0.69 | 1.3 | 2.75 | 44 |
| 1.00 | 12.12 | 1.12 | 6.25 | 6.7 | 0.87 | 1.6 | 3 | 105 |
| 1.50 | 15.12 | 1.40 | 8.00 | 6.7 | 0.87 | 1.6 | 3 | 220 |
| 2.00 | 17.75 | 1.50 | 9.25 | 6.5 | 1.19 | 1.7 | 3.5 | 429 |
| 2.50 | 20.00 | 2.00 | 10.50 | 9.2 | 1.6 | 2.8 | 4.25 | 718 |

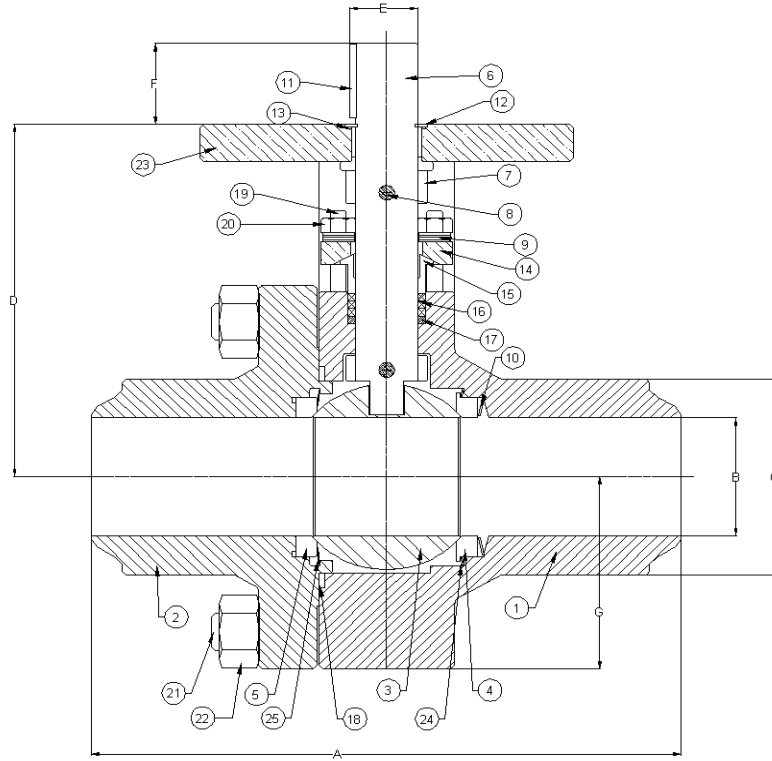
Products are designed in accordance with ASME, ANSI and API standards. All dimensions in inches.

REMINGTON VALVE, LLC.

ENGINEERING DIMENSIONS .5 THRU 2.5 BW

PARTS LIST

- | | |
|------|---------------------|
| Item | Description |
| 1 | Body |
| 2 | End Connection |
| 3 | Ball |
| 4 | Seat /Push Ring |
| 5 | Seat - Downstream |
| 6 | Stem |
| 7 | Collar |
| 8 | Pin |
| 9 | Belleville Spring |
| 10 | Load Spring |
| 11 | Stem Key |
| 12 | Retainer Ring |
| 13 | Washer |
| 14 | Gland Flange |
| 15 | Packing Follower |
| 16 | Packing |
| 17 | Anti Extrusion Ring |
| 18 | Gasket |
| 19 | Stud |
| 20 | Nut |
| 21 | Stud |
| 22 | Nut |
| 23 | Mounting Bracket |
| 24 | Solids Excluder |
| 25 | Locking Ring |



ANSI 150

| NOMINAL SIZE | A | B | C | D | E | F | G | CV |
|--------------|------|------|------|-----|------|-----|------|-----|
| 0.50 | 4.25 | 0.50 | 3.50 | 4.2 | 0.56 | 1 | 1.88 | 24 |
| 0.75 | 4.62 | 0.75 | 3.88 | 4.8 | 0.56 | 1 | 2.09 | 52 |
| 1.00 | 5.00 | 1.12 | 4.25 | 5.1 | 0.75 | 1.3 | 2.44 | 143 |
| 1.50 | 6.50 | 1.50 | 5.00 | 5.6 | 0.87 | 1.6 | 2.75 | 265 |
| 2.00 | 7.00 | 2.00 | 6.00 | 5.8 | 0.75 | 1.3 | 3 | 545 |
| 2.50 | 7.50 | 2.50 | 7.00 | 6.1 | 1.19 | 1.7 | 3.5 | 945 |

ANSI 600

| NOMINAL SIZE | A | B | C | D | E | F | G | CV |
|--------------|-------|------|------|-----|------|-----|------|-----|
| 0.50 | 6.50 | 0.50 | 3.75 | 4.4 | 0.56 | 1 | 1.88 | 20 |
| 0.75 | 7.50 | 0.75 | 4.63 | 4.9 | 0.56 | 1 | 2.09 | 42 |
| 1.00 | 8.50 | 1.12 | 4.88 | 5.1 | 0.75 | 1.3 | 2.44 | 109 |
| 1.50 | 9.50 | 1.50 | 6.12 | 5.9 | 0.87 | 1.6 | 2.75 | 222 |
| 2.00 | 11.50 | 2.00 | 6.50 | 5.9 | 1.06 | 1.7 | 3.25 | 425 |
| 2.50 | 13.00 | 2.50 | 7.50 | 6.2 | 1.06 | 1.9 | 3.75 | 715 |

ANSI 300

| NOMINAL SIZE | A | B | C | D | E | F | G | CV |
|--------------|------|------|------|-----|------|-----|------|-----|
| 0.50 | 5.50 | 0.50 | 3.75 | 4.3 | 0.56 | 1 | 1.88 | 22 |
| 0.75 | 6.00 | 0.75 | 4.63 | 4.8 | 0.56 | 1 | 2.09 | 48 |
| 1.00 | 6.50 | 1.12 | 4.88 | 5.1 | 0.75 | 1.3 | 2.44 | 125 |
| 1.50 | 7.50 | 1.50 | 6.12 | 5.9 | 0.87 | 1.6 | 2.75 | 250 |
| 2.00 | 8.50 | 2.00 | 6.50 | 5.9 | 1.06 | 1.7 | 3.25 | 490 |
| 2.50 | 9.50 | 2.50 | 7.50 | 6.1 | 1.19 | 1.7 | 3.5 | 841 |

ANSI 900/1500

| NOMINAL SIZE | A | B | C | D | E | F | G | CV |
|--------------|-------|------|------|-----|------|-----|------|-----|
| 0.50 | 8.50 | 0.50 | 4.75 | 4.8 | 0.56 | 1 | 2.25 | 18 |
| 0.75 | 9.00 | 0.75 | 5.12 | 4.9 | 0.56 | 1 | 2.25 | 35 |
| 1.00 | 10.00 | 1.12 | 5.88 | 5.6 | 0.75 | 1.3 | 2.94 | 100 |
| 1.50 | 12.00 | 1.50 | 7.00 | 7.2 | 1.06 | 1.6 | 3.5 | 195 |
| 2.00 | 14.50 | 2.00 | 8.50 | 6.8 | 1.19 | 1.7 | 3.5 | 278 |
| 2.50 | 16.50 | 2.13 | 9.63 | 6.5 | 1.5 | 1.9 | 3.75 | 419 |

ANSI 2500

| NOMINAL SIZE | A | B | C | D | E | F | G | CV |
|--------------|-------|------|-------|-----|------|-----|------|-----|
| 0.50 | 10.38 | 0.50 | 5.25 | 5.2 | 0.56 | 1 | 2.5 | 20 |
| 0.75 | 10.75 | 0.75 | 5.50 | 6.1 | 0.69 | 1.3 | 2.75 | 44 |
| 1.00 | 12.12 | 1.12 | 6.25 | 6.7 | 0.87 | 1.6 | 3 | 105 |
| 1.50 | 15.12 | 1.40 | 8.00 | 6.7 | 0.87 | 1.6 | 3 | 220 |
| 2.00 | 17.75 | 1.50 | 9.25 | 6.5 | 1.19 | 1.7 | 3.5 | 429 |
| 2.50 | 20.00 | 2.00 | 10.50 | 9.2 | 1.6 | 2.8 | 4.25 | 718 |

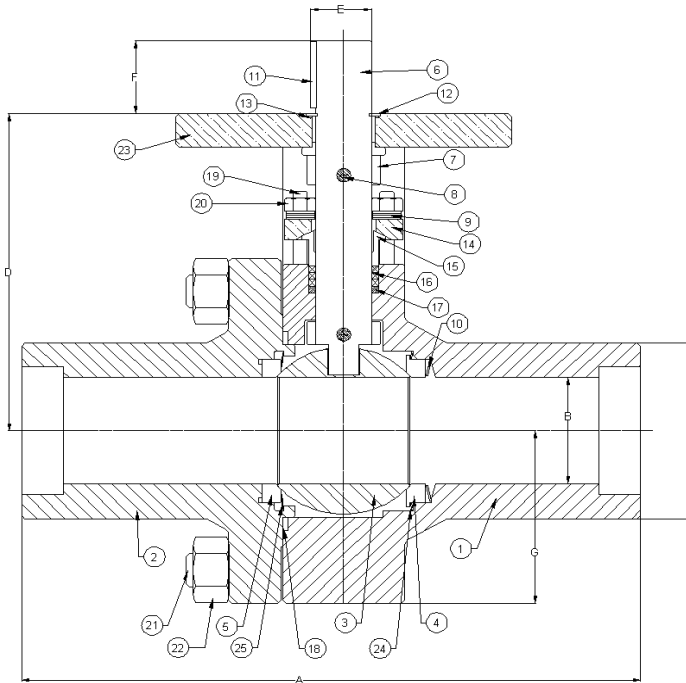
Products are designed in accordance with ASME, ANSI and API standards. All dimensions in inches.

REMINGTON VALVE, LLC.

ENGINEERING DIMENSIONS .5 THRU 2.5 SW

PARTS LIST

| Item | Description |
|------|---------------------|
| 1 | Body |
| 2 | End Connection |
| 3 | Ball |
| 4 | Seat /Push Ring |
| 5 | Seat - Downstream |
| 6 | Stem |
| 7 | Collar |
| 8 | Pin |
| 9 | Belleville Spring |
| 10 | Load Spring |
| 11 | Stem Key |
| 12 | Retainer Ring |
| 13 | Washer |
| 14 | Gland Flange |
| 15 | Packing Follower |
| 16 | Packing |
| 17 | Anti Extrusion Ring |
| 18 | Gasket |
| 19 | Stud |
| 20 | Nut |
| 21 | Stud |
| 22 | Nut |
| 23 | Mounting Bracket |
| 24 | Solids Excluder |
| 25 | Locking Ring |



ANSI 150

| NOMINAL SIZE | A | B | C | D | E | F | G | CV |
|--------------|------|------|------|------|------|-----|------|------|
| 0.50 | 4.25 | 0.50 | 1.20 | 4.17 | 0.56 | 1 | 1.88 | 30 |
| 0.75 | 4.62 | 0.75 | 1.43 | 4.87 | 0.56 | 1 | 2.09 | 64 |
| 1.00 | 5.00 | 1.12 | 1.71 | 5.13 | 0.75 | 1.3 | 2.44 | 162 |
| 1.50 | 6.50 | 1.50 | 2.32 | 5.64 | 0.87 | 1.6 | 2.75 | 292 |
| 2.00 | 7.00 | 2.00 | 2.85 | 5.87 | 0.75 | 1.3 | 3 | 592 |
| 2.50 | 7.50 | 2.50 | 3.43 | 6.12 | 1.19 | 1.7 | 3.5 | 1010 |

ANSI 600

| NOMINAL SIZE | A | B | C | D | E | F | G | CV |
|--------------|------|------|------|------|------|-----|------|-----|
| 0.50 | 6.00 | 0.50 | 1.25 | 4.36 | 0.56 | 1 | 1.88 | 24 |
| 0.75 | 6.25 | 0.75 | 1.49 | 4.87 | 0.56 | 1 | 2.09 | 51 |
| 1.00 | 6.50 | 1.12 | 1.80 | 5.13 | 0.75 | 1.3 | 2.44 | 135 |
| 1.50 | 7.50 | 1.50 | 2.44 | 5.98 | 0.87 | 1.6 | 2.75 | 280 |
| 2.00 | 8.50 | 2.00 | 2.97 | 5.98 | 1.06 | 1.7 | 3.25 | 545 |
| 2.50 | 9.50 | 2.50 | 3.58 | 6.2 | 1.5 | 1.9 | 3.75 | 915 |

ANSI 300

| NOMINAL SIZE | A | B | C | D | E | F | G | CV |
|--------------|------|------|------|------|------|-----|------|-----|
| 0.50 | 5.50 | 0.50 | 1.20 | 4.36 | 0.56 | 1 | 1.88 | 26 |
| 0.75 | 6.00 | 0.75 | 1.43 | 4.87 | 0.56 | 1 | 2.09 | 51 |
| 1.00 | 6.50 | 1.12 | 1.71 | 5.13 | 0.75 | 1.3 | 2.44 | 135 |
| 1.50 | 7.50 | 1.50 | 2.32 | 5.98 | 0.87 | 1.6 | 2.75 | 280 |
| 2.00 | 8.50 | 2.00 | 2.85 | 5.98 | 1.06 | 1.7 | 3.25 | 545 |
| 2.50 | 9.50 | 2.50 | 3.43 | 6.12 | 1.19 | 1.7 | 3.5 | 910 |

ANSI 900/1500

| NOMINAL SIZE | A | B | C | D | E | F | G | CV |
|--------------|-------|------|------|-----|------|-----|------|-----|
| 0.50 | 6.50 | 0.50 | 1.35 | 4.8 | 0.56 | 1 | 2.25 | 31 |
| 0.75 | 6.50 | 0.75 | 1.63 | 4.9 | 0.56 | 1 | 2.25 | 50 |
| 1.00 | 7.50 | 1.12 | 1.95 | 5.6 | 0.75 | 1.3 | 2.94 | 130 |
| 1.50 | 9.00 | 1.50 | 2.70 | 7.2 | 1.06 | 1.6 | 3.5 | 249 |
| 2.00 | 11.00 | 2.00 | 3.33 | 6.8 | 1.19 | 1.7 | 3.5 | 469 |
| 2.50 | 12.75 | 2.13 | 3.92 | 6.5 | 1.5 | 1.9 | 3.75 | 505 |

ANSI 2500

| NOMINAL SIZE | A | B | C | D | E | F | G | CV |
|--------------|-------|------|------|------|------|-----|------|-----|
| 0.50 | 8.00 | 0.50 | 1.58 | 5.25 | 0.56 | 1 | 2.5 | 20 |
| 0.75 | 9.00 | 0.75 | 1.82 | 6.1 | 0.69 | 1.3 | 2.75 | 40 |
| 1.00 | 10.00 | 1.12 | 2.19 | 6.7 | 0.87 | 1.6 | 3 | 105 |
| 1.50 | 11.00 | 1.40 | 3.01 | 6.7 | 1.19 | 1.7 | 3 | 103 |
| 2.00 | 12.00 | 1.50 | 3.73 | 6.5 | 1.7 | 2.6 | 3.5 | 210 |
| 2.50 | 14.00 | 2.00 | 4.45 | 9.2 | 1.6 | 2.8 | 4.25 | 297 |

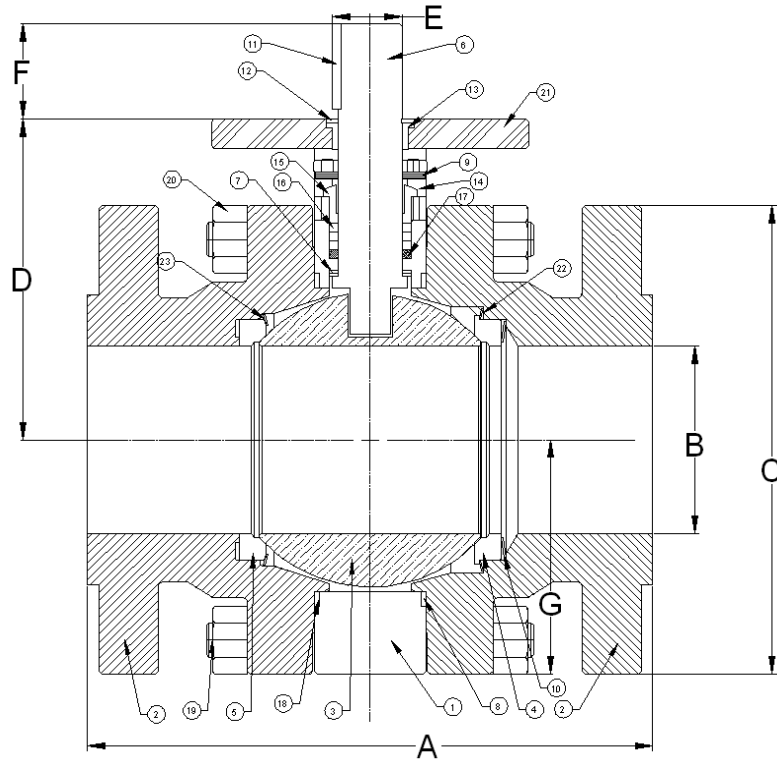
Products are designed in accordance with ASME, ANSI and API standards. All dimensions in inches.

REMINGTON VALVE, LLC.

ENGINEERING DIMENSIONS 3 THRU 12 RFFE

PARTS LIST

| Item | Description |
|------|---------------------|
| 1 | Body |
| 2 | End Connection |
| 3 | Ball |
| 4 | Seat /Push Ring |
| 5 | Seat - Downstream |
| 6 | Stem |
| 7 | Stem Bushing |
| 8 | Gasket |
| 9 | Belleville Spring |
| 10 | Load Spring |
| 11 | Stem Key |
| 12 | Retainer Ring |
| 13 | Bushing |
| 14 | Gland Flange |
| 15 | Packing Follower |
| 16 | Packing |
| 17 | Anti Extrusion Ring |
| 18 | Gasket |
| 19 | Stud |
| 20 | Nut |
| 21 | Mounting Bracket |
| 22 | Solids Excluder |
| 23 | Locking Ring |



ANSI 150

| NOMINAL SIZE | A | B | C | D | E | F | G |
|--------------|-------|-------|-------|------|-----|-----|------|
| 3 | 8.00 | 3.00 | 7.50 | 5.5 | 0.8 | 1.1 | 3.75 |
| 4 | 9.00 | 4.00 | 9.00 | 6.8 | 1.3 | 2 | 5 |
| 6 | 15.50 | 6.00 | 11.00 | 9.9 | 2.3 | 2.6 | 7 |
| 8 | 18.00 | 8.00 | 13.50 | 11.5 | 2.5 | 2 | 8.1 |
| 10 | 21.00 | 10.00 | 16.00 | 13.9 | 2.8 | 2.7 | 10.5 |
| 12 | 24.00 | 12.00 | 19.00 | 15.6 | 3 | 2.5 | 12 |

ANSI 900

| NOMINAL SIZE | A | B | C | D | E | F | G |
|--------------|-------|-------|-------|------|-----|-----|------|
| 3 | 15.00 | 3.00 | 9.50 | 8.3 | 1.5 | 2.5 | 4.3 |
| 4 | 18.00 | 3.62 | 11.50 | 10.4 | 2.1 | 3 | 5.8 |
| 6 | 24.00 | 5.50 | 15.00 | 11.1 | 3 | 2.2 | 7.5 |
| 8 | 29.00 | 7.19 | 18.50 | 12.9 | 3.6 | 2.9 | 9.3 |
| 10 | 33.00 | 9.06 | 21.50 | 15.5 | 4.5 | 4.5 | 10.7 |
| 12 | 38.00 | 10.75 | 24.00 | 16.4 | 5.5 | 4.5 | 12 |

ANSI 300

| NOMINAL SIZE | A | B | C | D | E | F | G |
|--------------|-------|-------|-------|------|-----|-----|-----|
| 3 | 11.12 | 3.00 | 8.25 | 7.3 | 1.3 | 1.3 | 4.1 |
| 4 | 12.00 | 4.00 | 10.00 | 7.1 | 1.5 | 1.7 | 5 |
| 6 | 15.88 | 6.00 | 12.50 | 9.9 | 2.2 | 2.6 | 7 |
| 8 | 19.75 | 8.00 | 15.00 | 16.7 | 2.8 | 3.2 | 9 |
| 10 | 22.38 | 10.00 | 17.50 | 15.5 | 3.5 | 3.1 | 11 |
| 12 | 25.50 | 12.00 | 20.50 | 15.7 | 4 | 3 | 12 |

ANSI 1500

| NOMINAL SIZE | A | B | C | D | E | F | G |
|--------------|-------|-------|-------|------|-----|-----|------|
| 3 | 18.50 | 2.62 | 10.50 | 9.3 | 1.7 | 2.5 | 4.5 |
| 4 | 21.50 | 3.44 | 12.25 | 9.1 | 2.5 | 2.8 | 6.1 |
| 6 | 27.75 | 5.19 | 15.50 | 13 | 3.3 | 3 | 7.8 |
| 8 | 32.75 | 6.81 | 19.00 | 16.5 | 4 | 5 | 9.5 |
| 10 | 39.00 | 8.50 | 23.00 | 17.4 | 5.5 | 4.5 | 11.5 |
| 12 | 44.50 | 10.13 | 26.50 | 18.3 | 6.7 | 4.5 | 13.3 |

ANSI 600

| NOMINAL SIZE | A | B | C | D | E | F | G |
|--------------|-------|-------|-------|------|-----|-----|------|
| 3 | 14.00 | 3.00 | 8.25 | 7.3 | 1.3 | 1.3 | 4.1 |
| 4 | 17.00 | 4.00 | 10.75 | 9.9 | 2.1 | 3 | 5.7 |
| 6 | 22.00 | 6.00 | 14.00 | 10.6 | 2.5 | 2.4 | 7.3 |
| 8 | 26.00 | 7.87 | 16.50 | 13.9 | 3.3 | 2.7 | 8.4 |
| 10 | 31.00 | 9.75 | 20.00 | 17.3 | 4 | 4.5 | 11.6 |
| 12 | 33.00 | 11.75 | 22.00 | 18.1 | 5 | 4 | 12.7 |

ANSI 2500

| NOMINAL SIZE | A | B | C | D | E | F | G |
|--------------|-------|-------|-------|------|-----|-----|------|
| 3 | 22.75 | 2.30 | 12.00 | 8.9 | 1.8 | 1.8 | 4.5 |
| 4 | 26.50 | 3.15 | 14.00 | 11.4 | 2.5 | 2.8 | 6.5 |
| 6 | 35.00 | 4.90 | 19.00 | 13.2 | 3.3 | 6.8 | 8.5 |
| 8 | 40.25 | 6.81 | 21.75 | 16.8 | 5.2 | 5 | 9.8 |
| 10 | 50.00 | 8.50 | 26.50 | 17.7 | 7.5 | 6.5 | 11.8 |
| 12 | 56.00 | 10.13 | 30.00 | 18.9 | 8 | 6.5 | 13.5 |

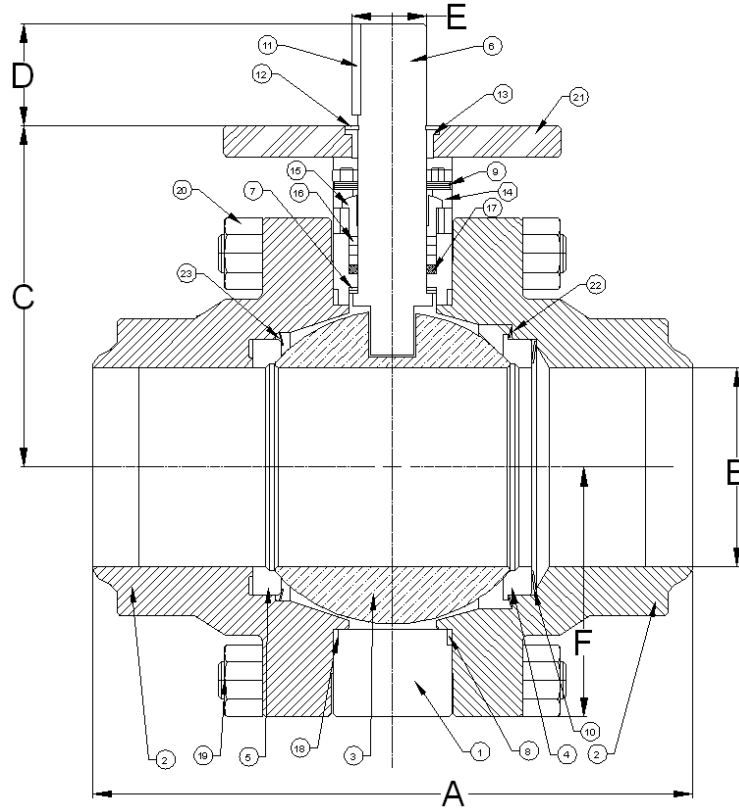
Products are designed in accordance with ASME, ANSI and API standards. All dimensions in inches.

REMINGTON VALVE, LLC.

ENGINEERING DIMENSIONS 3 THRU 12 BW

PARTS LIST

| Item | Description |
|------|---------------------|
| 1 | Body |
| 2 | End Connection |
| 3 | Ball |
| 4 | Seat /Push Ring |
| 5 | Seat - Downstream |
| 6 | Stem |
| 7 | Stem Bushing |
| 8 | Gasket |
| 9 | Belleville Spring |
| 10 | Load Spring |
| 11 | Stem Key |
| 12 | Retainer Ring |
| 13 | Bushing |
| 14 | Gland Flange |
| 15 | Packing Follower |
| 16 | Packing |
| 17 | Anti Extrusion Ring |
| 18 | Gasket |
| 19 | Stud |
| 20 | Nut |
| 21 | Mounting Bracket |
| 22 | Solids Excluder |
| 23 | Locking Ring |



ANSI 150

| NOMINAL SIZE | A | B | C | D | E | F | G |
|--------------|-------|-------|-------|------|-----|-----|------|
| 3 | 8.00 | 3.00 | 7.50 | 5.5 | 0.8 | 1.1 | 3.75 |
| 4 | 9.00 | 4.00 | 9.00 | 6.8 | 1.3 | 2 | 5 |
| 6 | 15.50 | 6.00 | 11.00 | 9.9 | 2.3 | 2.6 | 7 |
| 8 | 18.00 | 8.00 | 13.50 | 11.5 | 2.5 | 2 | 8.1 |
| 10 | 21.00 | 10.00 | 16.00 | 13.9 | 2.8 | 2.7 | 10.5 |
| 12 | 24.00 | 12.00 | 19.00 | 15.6 | 3 | 2.5 | 12 |

ANSI 900

| NOMINAL SIZE | A | B | C | D | E | F | G |
|--------------|-------|-------|-------|------|-----|-----|------|
| 3 | 15.00 | 3.00 | 9.50 | 8.3 | 1.5 | 2.5 | 4.3 |
| 4 | 18.00 | 3.62 | 11.50 | 10.4 | 2.1 | 3 | 5.8 |
| 6 | 24.00 | 5.50 | 15.00 | 11.1 | 3 | 2.2 | 7.5 |
| 8 | 29.00 | 7.19 | 18.50 | 12.9 | 3.6 | 2.9 | 9.3 |
| 10 | 33.00 | 9.06 | 21.50 | 15.5 | 4.5 | 4.5 | 10.7 |
| 12 | 38.00 | 10.75 | 24.00 | 16.4 | 5.5 | 4.5 | 12 |

ANSI 300

| NOMINAL SIZE | A | B | C | D | E | F | G |
|--------------|-------|-------|-------|------|-----|-----|-----|
| 3 | 11.12 | 3.00 | 8.25 | 7.3 | 1.3 | 1.3 | 4.1 |
| 4 | 12.00 | 4.00 | 10.00 | 7.1 | 1.5 | 1.7 | 5 |
| 6 | 15.88 | 6.00 | 12.50 | 9.9 | 2.2 | 2.6 | 7 |
| 8 | 19.75 | 8.00 | 15.00 | 16.7 | 2.8 | 3.2 | 9 |
| 10 | 22.38 | 10.00 | 17.50 | 15.5 | 3.5 | 3.1 | 11 |
| 12 | 25.50 | 12.00 | 20.50 | 15.7 | 4 | 3 | 12 |

ANSI 1500

| NOMINAL SIZE | A | B | C | D | E | F | G |
|--------------|-------|-------|-------|------|-----|-----|------|
| 3 | 18.50 | 2.62 | 10.50 | 9.3 | 1.7 | 2.5 | 4.5 |
| 4 | 21.50 | 3.44 | 12.25 | 9.1 | 2.5 | 2.8 | 6.1 |
| 6 | 27.75 | 5.19 | 15.50 | 13 | 3.3 | 3 | 7.8 |
| 8 | 32.75 | 6.81 | 19.00 | 16.5 | 4 | 5 | 9.5 |
| 10 | 39.00 | 8.50 | 23.00 | 17.4 | 5.5 | 4.5 | 11.5 |
| 12 | 44.50 | 10.13 | 26.50 | 18.3 | 6.7 | 4.5 | 13.3 |

ANSI 600

| NOMINAL SIZE | A | B | C | D | E | F | G |
|--------------|-------|-------|-------|------|-----|-----|------|
| 3 | 14.00 | 3.00 | 8.25 | 7.3 | 1.3 | 1.3 | 4.1 |
| 4 | 17.00 | 4.00 | 10.75 | 9.9 | 2.1 | 3 | 5.7 |
| 6 | 22.00 | 6.00 | 14.00 | 10.6 | 2.5 | 2.4 | 7.3 |
| 8 | 26.00 | 7.87 | 16.50 | 13.9 | 3.3 | 2.7 | 8.4 |
| 10 | 31.00 | 9.75 | 20.00 | 17.3 | 4 | 4.5 | 11.6 |
| 12 | 33.00 | 11.75 | 22.00 | 18.1 | 5 | 4 | 12.7 |

ANSI 2500

| NOMINAL SIZE | A | B | C | D | E | F | G |
|--------------|-------|-------|-------|------|-----|-----|------|
| 3 | 22.75 | 2.30 | 12.00 | 8.9 | 1.8 | 1.8 | 4.5 |
| 4 | 26.50 | 3.15 | 14.00 | 11.4 | 2.5 | 2.8 | 6.5 |
| 6 | 35.00 | 4.90 | 19.00 | 13.2 | 3.3 | 6.8 | 8.5 |
| 8 | 40.25 | 6.81 | 21.75 | 16.8 | 5.2 | 5 | 9.8 |
| 10 | 50.00 | 8.50 | 26.50 | 17.7 | 7.5 | 6.5 | 11.8 |
| 12 | 56.00 | 10.13 | 30.00 | 18.9 | 8 | 6.5 | 13.5 |

Products are designed in accordance with ASME, ANSI and API standards. All dimensions in inches.