

R-SERIES

REMINGTON VALVE

Severe Service Ball Valves



Proud member of IOMT

R-SERIES

IN-LINE REPAIRABILITY – CHANGING THE GAME!

**CRITICAL SERVICE
FIELD PROVEN
ENGINEERED
SUPPORT
SERVICE**

Manufactured in Houston, Texas

Simplifying the way you buy valves

WHY CHOOSE REMINGTON?

REMINGTON VALVE located in Houston, Texas is a leading manufacturer of severe service isolation ball valves for the most extreme applications for the Refining, Chemical, Petrochemical, Power Generation, Oil & Gas, Mining, Cryogenic, and Aerospace industries. The core employees combine decades of innovative engineering, manufacturing, cutting edge technology, technical sales, customer service, and field proven designs to help customers like you.

Why Choose REMINGTON?

- Optimized ball valve design and calculations
- 3D Parametric modeling
- Proprietary coating technology
- Automated lapping process laps both sides of ball
- Vacuum testing to validate Class VI shut-off
- All valves built from forgings – no castings

R-SERIES Applications:

- High temperature
- High pressure
- Hot reheat spray
- Main turbine drain
- Sootblower header
- Superheater spray
- Main steam supply
- Boiler feed pump
- Boiler drains
- Feedwater drains
- Above and below seat drains
- Attemperator spray block

R-SERIES (In-line repairability)

Manufactured in Houston, Texas

5 Year Warranty

SIZE

- ½" – 24" (3 piece design)

PRESSURE CLASS

- 150# - 4500#

CENTER SECTION MATERIALS

- A105, F11, F22, F316, F91, F92

All ASME B16.34 materials available

END CONNECTIONS

- SW Standard (BW, HUB, FNPT, RFF, RTJ)
- A105, F11, F22, F316, F91, F92

All ASME B16.34 materials available

SEALING OPTIONS

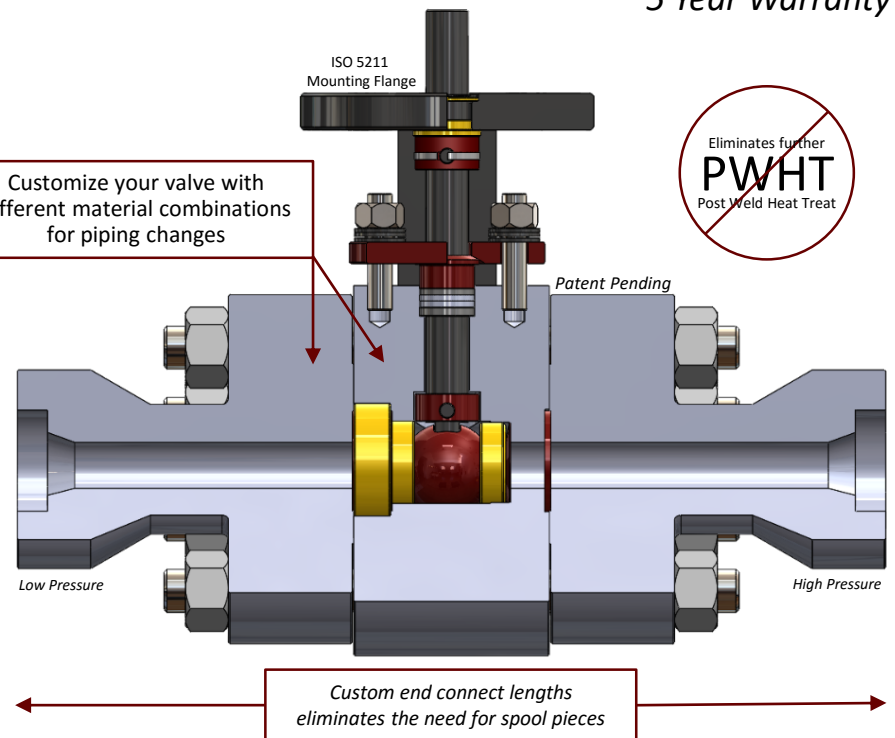
- Uni-directional (Standard)
- Bi-directional

R-SERIES ADVANTAGES

- Serviceable in-line
- Saves money & time
- Ease of maintenance
- Repairable without cutting the installation welds
- Eliminates further Post Weld Heat Treat (PWHT)

Features and Benefits

- **Ball & Seats:** Both made from the same material to match thermal expansions
- **Lapping:** Automated lapping process laps both sides of the ball to Class VI shut-off
- **Coating:** Proprietary HVOF and Spray & Fused coatings, with cutting edge technology
- **Stem:** Blowout proof stem with surface hardening to prevent galling
- **Articulating Gland Flange:** Spherical engagement allows for equal load distribution on packing
- **Spring:** Allows for thermal expansion and provides a constant mechanical seal
- **Grafoil Packing:** Premium die-formed with Anti-extrusion rings – Live loaded
- **Body Seals:** Three Proprietary (TF) seals allow the body to be removed without cutting the installation welds
- **Vacuum Testing:** To ensure Class VI shut-off prior to installation
- **ASME B16.34:** All valves built to ASME B16.34 requirements



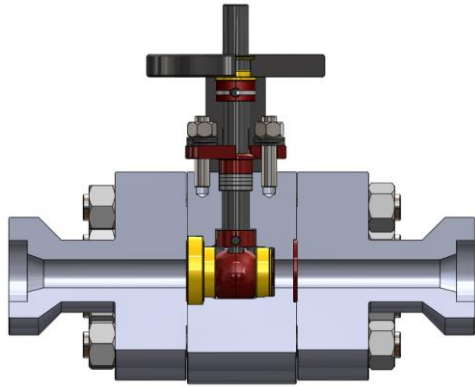
Trim set is vacuum tested to ensure a Class VI shut-off prior to rebuilding the valve

REPLACEABLE TRIM SET

R-SERIES (In-line repairability)

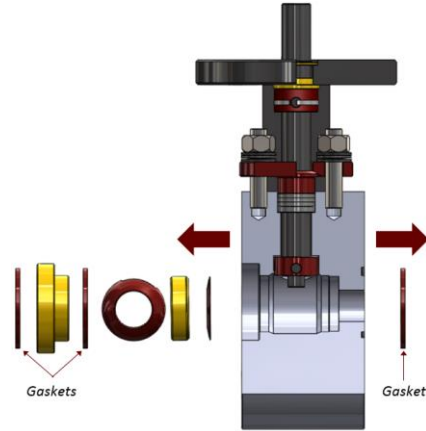
Manufactured in Houston, Texas

Patent Pending



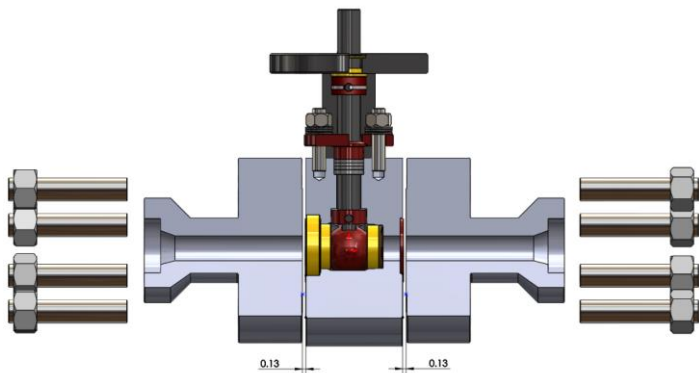
Step 1

- No more cutting installation welds.



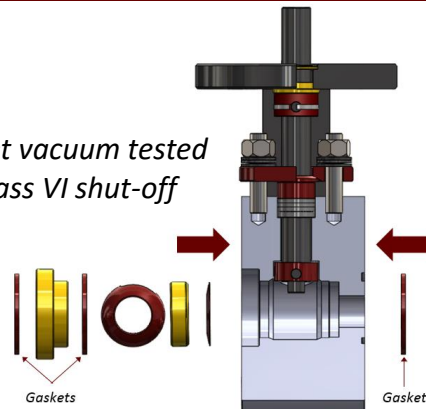
Step 4

- Remove trim set and gaskets from body.



Step 2

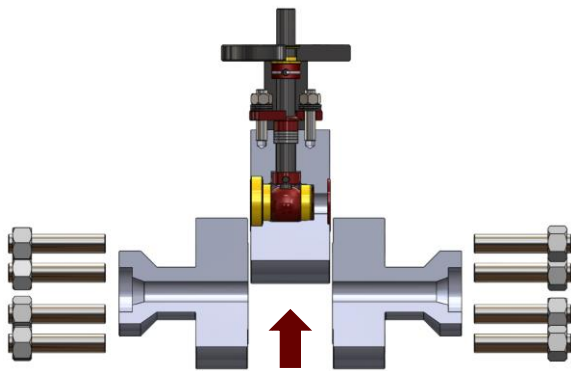
- Remove bolting and spread 1/8" each side.



Step 5

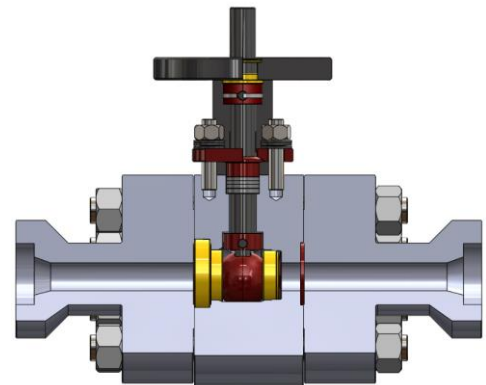
- Install trim set with gaskets in body.

Trim set vacuum tested to class VI shut-off



Step 3

- Lift center section out of end connections.



Step 6

- Install center section and secure bolting.

Custom designs for the toughest applications



Simplifying the way you buy valves

REMINGTON VALVE

706 Nebraska Street
South Houston, Texas 77587
O: 832.413.4400 F: 281.974.3595

sales@remingtonvalve.com
www.remingtonvalve.com